

# 5MP WDR Starlight (Motorized) VF Eyeball Network IR Camera

IPC3635ER3-DUPZ



## Key Features

### Optics

- Starlight illumination
- Day/night functionality
- Optical glass window with higher light transmittance
- IR anti-reflection window to increase the infrared transmittance
- Smart IR, up to 30 m (98 ft) IR distance
- 2D/3D DNR (Digital Noise Reduction)
- Built-in motorized lens for remote zoom

### Compression

- Ultra 265, H.264, MJPEG
- Embedded smart algorithm
- Triple streams
- 9:16 corridor mode

### Network

- ONVIF Conformance

### Structure

- Support PoE power supply
- Wide temperature range: -40°C to 60°C (-40°F to 140°F)

Wide voltage range of  $\pm 25\%$

IP67

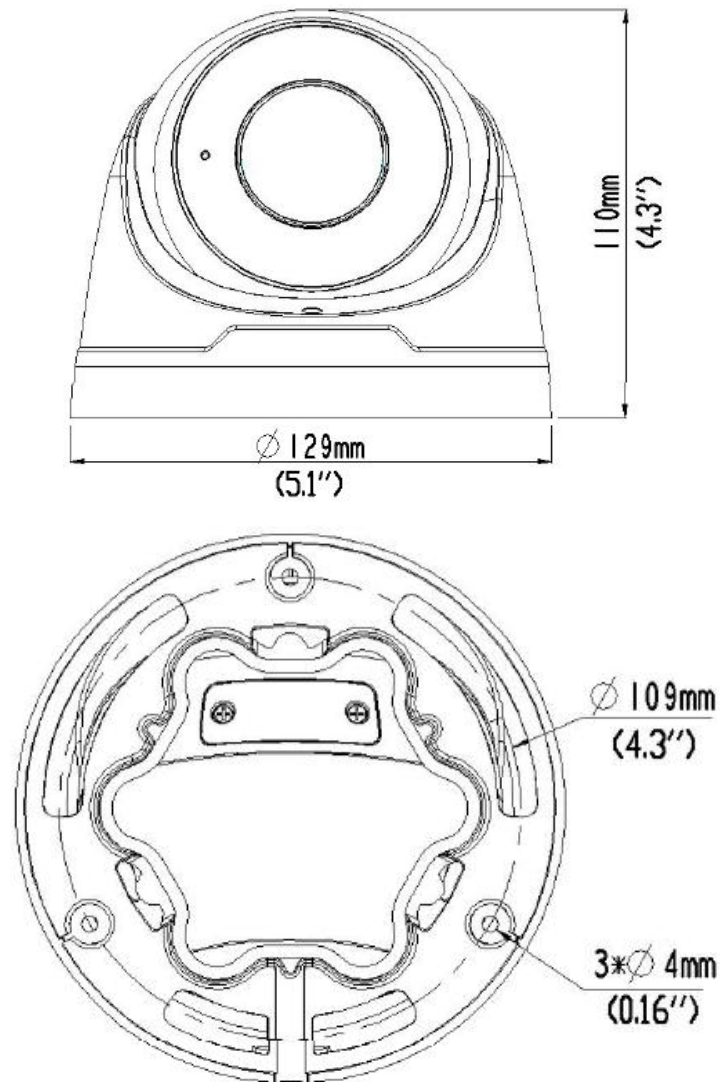
3-Axis

## Specifications

IPC3635ER3-DUPZ					
<b>Camera</b>					
Sensor	1/2.7", progressive scan, 5.0 megapixel, CMOS				
Lens	2.7~13.5 mm, AF automatic focusing and motorized zoom lens				
DORI Distance	Lens	Detect(m)	Observe(m)	Recognize(m)	Identify(m)
	2.7mm	60.8	24.3	12.2	6.1
	13.5mm	303.8	121.5	60.8	30.4
Angle of view(H)	93.38° ~ 28.56°				
Angle of View (V)	88°~ 16.4°				
Angle of View (O)	121.4° ~33.7°				
Adjustment angle	Pan: 0°~360°		Tilt: 0°~90°		Rotate: 0°~360°
Shutter	Auto/Manual, shutter time: 1~1/100000 s				
Minimum Illumination	Colour: 0.002 Lux (F1.2, AGC ON) 0 Lux with IR				
Day/Night	IR-cut filter with auto switch (ICR)				
Digital noise reduction	2D/3D DNR				
S/N	>52dB				
IR Range	Up to 30m (98 ft) IR range				
Defog	Digital Defog				
WDR	120dB				
<b>Video</b>					
Video Compression	Ultra 265, H.264, MJPEG				
H.264 code profile	Baseline profile, Main Profile, High Profile				
Frame Rate	Main Stream: 5MP(2592 x 1944): Max. 20 fps, 5MP(2592 x 1944): Max. 25 fps(WDR OFF), 4MP(2560 x 1440): Max. 30 fps, 3MP(2048x 1536): Max. 30 fps, 2MP(1920 x 1080): Max. 30 fps; Sub Stream:2MP(1920 x 1080): Max. 30 fps; Third Stream: D1(720 x 576): Max.3 0 fps;				
9:16 Corridor Format	Supported				
HLC	Supported				
BLC	Supported				
OSD	Up to 8 OSDs				
Privacy Mask	Up to 8 areas				
ROI	Up to 8 areas				
Motion Detection	Up to 4 areas				
<b>Smart</b>					
Behavior Detection	Intrusion, cross line, motion detection				
Intrusion	Enter and loiter in a pre-defined virtual region				
cross line	Cross a pre-defined virtual line				

motion detection	Moving within a pre-defined virtual region
Recognition	Face detection、 Audio detection
Intelligent Identification	Defocus, Scene Change, Object Left, Object Moving
Statistical Analysis	People counting
General Function	Watermark, IP Address Filtering, Tampering Alarm, Access Policy, ARP Protection, RTSP Authentication, User Authentication
<b>Audio</b>	
Audio Compression	G.711
Suppression	Supported
Sampling Rate	8 KHZ
<b>Storage</b>	
Edge Storage	Micro SD, up to 256 GB
Network Storage	ANR
<b>Network</b>	
Protocols	IPv4, IGMP, ICMP, ARP, TCP, UDP, DHCP, PPPoE, RTP, RTSP, RTCP, DNS, DDNS, NTP, FTP, UPnP, HTTP, HTTPS, SMTP, 802.1x, SNMP
Compatible Integration	ONVIF(Profile S, Profile G, Profile T),API
<b>Interface</b>	
Network	1 RJ45 10M/100M Base-TX Ethernet
Built-in Mic	Supported
<b>General</b>	
Power	12 V DC ± 25%, PoE (IEEE802.3 af)
	Power consumption: Max 8.16W
Dimensions (Ø x H)	Φ129 x 110 mm (Ø5.08" x 4.3")
Weight	0.82 kg (1.8lb)
Working Environment	-40°C ~ +60°C (-40°F ~ 140°F), Humidity: 10%~90% RH(non-condensing)
Ingress Protection	IP67
Reset Button	Supported

## Dimensions



**Zhejiang Uniview Technologies Co., Ltd.**

South Tower, Building 10, Wanlun Science Park, 88 Jiangling Road, Hangzhou, P.R.China 310051

Email: [overseasbusiness@uniview.com](mailto:overseasbusiness@uniview.com); [globalsupport@uniview.com](mailto:globalsupport@uniview.com)

<http://www.uniview.com>

©2017-2018 Zhejiang Uniview Technologies Co., Ltd. All rights reserved.

\*Product specifications and availability are subject to change without notice.